

CATALOG #: \_\_\_\_\_

Type: \_\_\_\_\_

PROJECT: \_\_\_\_\_



**FEATURES**

- Scalable design up to 72,000 lumens
- Optimized for single-person installation
- Multiple shielding and distribution options
- High-performance up to 154 lm/W
- Frosted lens reduces glare
- Energy-saving alternative designed to replace traditional HID or fluorescent high bay fixtures
- HE option delivers superior efficacies up to 187 lm/W
- Variety of mounting options for surface and suspended applications
- Wireless in-fixture control solutions available
- Made Right Here® in the USA

**SPECIFICATIONS**

- HOUSING – Die-formed steel housing.
- SHIELDING – Frosted acrylic.
- FINISH – 92% minimum average reflective white polyester powder coat bonded to phosphate-free, multi-stage pretreated metal. All parts painted after fabrication to facilitate installation, increase efficiency, and inhibit corrosion.
- ELECTRICAL – High-quality mid-power LED boards. L70 at 65,000 hours. L80 > 102,000 hours with HE option. 40°C maximum ambient operating temperature standard. 55°C max when specified with HA option. 45°C max when specified with EM battery. 50/60 Hz constant current driver.
- MOUNTING – Suspended. Surface mount kit available. Indoor applications only.
- LISTINGS –
  - cCSAus certified as luminaire suitable for dry or damp locations.
  - DesignLights Consortium qualified product. Not all versions of this product may be DLC qualified, see the DLC Qualified Products List at [designlights.org/QPL](http://designlights.org/QPL)
  - Build America, Buy America (BABA) and Buy American Act (BAA) compliant. Request certification at [hew.com/buy-american](http://hew.com/buy-american)
- WARRANTY – 5-year limited warranty, see [hew.com/warranty](http://hew.com/warranty)

**ORDERING EXAMPLE: GH - 2 - L240/840 - FA - OPTIONS - CONTROL/DIM - UNV**

SERIES	LENGTH	LUMENS <sup>[1]</sup>	CRI	CCT	TEMPERATURE	SHIELDING
GH	2 2'	2'	8 80	30 3000K	- 40°C ambient operating temperature	FA Frosted acrylic
	L120 12,000lm	L180 18,000lm	40 4000K	50 5000K	HA High ambient operating temperature, 55°C <sup>[2]</sup>	HP High performance, no lens included
	L180 18,000lm	L240 24,000lm	L300 30,000lm			
	L240 24,000lm	L300 30,000lm		L400 40,000lm		
	L300 30,000lm	L400 40,000lm	L480 48,000lm			
	L360 36,000lm	L480 48,000lm		L540 54,000lm		
		L540 54,000lm	L600 60,000lm			
		L600 60,000lm		L660 66,000lm		
		L660 66,000lm	L720 72,000lm			
		L720 72,000lm				

**OPTIONS<sup>[3]</sup>**

See page 5 for FINISH OPTIONS.

EM/10W	10-watt emergency battery <sup>[4]</sup>
EM/14W	14-watt emergency battery <sup>[5]</sup>
EM/20W	20-watt emergency battery <sup>[6]</sup>
(L__)	Additional lower lumen packages available <sup>[7]</sup> Example: 8,000 lumens = GH-4-L120/835-(L80)
HE	High efficacy lumen package <sup>[8]</sup>
UP	Uplight <sup>[9]</sup>
ALUM	Silver sparkle aluminum
BLK	Textured black
BRZ	Textured bronze
NKL	Textured nickel
SLV	Textured silver
WHT	Textured white

WG11	11-gauge wireguard, field-installed <sup>[10]</sup>
WG11 F&I	11-gauge wireguard, factory installed
VBY	(2) Y-hangers
VBY-2	(2) Y-hangers with 2' chains
GC2/Y18/5	(2) Cable suspension kits, 5' length
GC2/Y18/10	(2) Cable suspension kits, 10' length
HUB MT	Cast iron hub and junction box for single 3/4" pendant mount <sup>[11]</sup>
HUB/HOOK MT	Cast iron hub with mounting hook <sup>[12]</sup>
HOOK/CABLE	Hook and cable mounting kit, 10' Surface mount kit
GH-SMK	Surface mount kit
6CPI/L5-15P/TWLK	6' cord and NEMA twistlock 15 AMP plug, 120V <sup>[13]</sup>
6CPI/L7-15P/TWLK	6' cord and NEMA twistlock 15 AMP plug, 277V <sup>[14]</sup>
6CPI/L8-20P/TWLK	6' cord and NEMA twistlock 20 AMP plug, 480V <sup>[15]</sup>
SDT	Stepdown transformer <sup>[16]</sup>

**CONTROL<sup>[17]</sup>**

See page 7 for ADDITIONAL CONTROL OPTIONS.

-	None
AVI-LVFA	Avi-on wireless fixture control <sup>[19]</sup>
AVI-LVFA-PIR	Avi-on wireless fixture control with PIR motion and daylight sensor, bottom mount <sup>[20]</sup>

**DRIVER<sup>[18]</sup>**

DIM	Driver with external 0-10V dimming wires
DRV	Driver without external dimming wires
DA	Driver with 12V auxiliary power, without external dimming wires <sup>[21]</sup>

**VOLTAGE**

120	120V
208	208V
240	240V
277	277V
UNV	120-277V
347	347V <sup>[22]</sup>
480	480V <sup>[23]</sup>

**NOTES**

- Lumen output based on FA Shielding, 80 CRI/4000K CCT. Actual performance may vary +/-5%, see page 2 for FIXTURE PERFORMANCE DATA. Additional lumen packages available, see Options.
- May increase fixture width. Must be suspended minimum 18" from ceiling. Lumen restrictions apply. See page 2 for FIXTURE PERFORMANCE DATA.
- See page 3 for MOUNTING DETAILS.
- Increases fixture size. See page 4 for FIXTURE DETAILS.
- Increases fixture size. See page 4 for FIXTURE DETAILS.
- Increases fixture size. See page 4 for FIXTURE DETAILS.
- Specify in increments of 1000 nominal lumens. Option must be specified with next higher lumen package.
- See page 2 for FIXTURE PERFORMANCE DATA.
- Percentage of uplight depends on fixture width. See page 2 for FIXTURE PERFORMANCE DATA.
- Shipped separately.
- Shipped separately.
- Shipped separately.
- DRV only.
- DRV only.
- DRV only.
- Fixtures greater than L480 require (2) step down transformers.
- See page 6 for AVI-ON BLUETOOTH WIRELESS CONTROL DETAILS. See page 5 for SENSOR PLACEMENT DETAILS.
- Consult factory for additional driver options.
- DA Driver only.
- DA Driver only.
- Avi-on Controls only.
- Not available with EM batteries or DA Driver.
- Not available with EM batteries or DA Driver.



## FIXTURE PERFORMANCE DATA

	LED PACKAGE	STANDARD (40°C MAXIMUM AMBIENT)				HE OPTION		HA TEMPERATURE (55°C MAXIMUM AMBIENT)			
		DELIVERED LUMENS	WATTAGE	EFFICACY (lm/W)	WIDTH	WATTAGE	EFFICACY (lm/W)	DELIVERED LUMENS	WATTAGE	EFFICACY (lm/W)	WIDTH
2'	L80	8,075	55.9	144	12"	47.7	169	8,075	55.9	144	12"
	L120	11,922	90.8	131	12"	71.6	166	12,246	79.4	154	18"
	L180	18,009	125.9	143	18"	103.7	174	18,357	121.5	151	24"
	L240	23,470	176.8	133	18"	143.3	164	24,001	163.9	146	24"
	L300	31,000	227.7	136	24"	181.3	171	—	—	—	—
	L360	35,765	272.6	131	24"	214.9	166	—	—	—	—
4'	L120	12,246	79.4	154	12"	65.6	187	12,246	79.4	154	12"
	L180	18,009	125.9	143	12"	103.7	174	—	—	—	—
	L240	23,510	177.9	132	12"	143.3	164	—	—	—	—
	L300	31,210	215.8	145	18"	178.1	175	31,210	215.8	145	18"
	L400	40,295	293.2	137	18"	233.1	173	40,268	268.9	150	24"
	L480	47,687	363.5	131	18"	286.6	166	48,002	327.9	146	24"
	L540	54,031	372.2	145	24"	311.2	174	—	—	—	—
	L600	61,173	429.8	142	24"	349.6	175	—	—	—	—
	L660	66,420	495.9	134	24"	402.5	165	—	—	—	—
	L720	72,181	539.7	134	24"	429.8	168	—	—	—	—

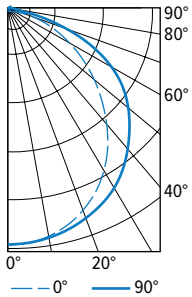
## MULTIPLIER TABLES

		COLOR TEMPERATURE		SHIELDING		
		CCT	CONVERSION FACTOR	CATALOG NUMBER	CONVERSION FACTOR	
80 CRI	3000K	0.96	FA	1.00		
	3500K	0.97	FP	0.95		
	4000K	1.00	HP	1.09		
	5000K	1.03	ND	1.08		
90 CRI	3000K	0.79	UPLIGHT %			
	3500K	0.80				
	4000K	0.83	WIDTH	FA	HP	ND
	5000K	0.86	12"	16	12	
		18"	10	7		
		24"	8	4		

- Photometrics tested in accordance with IESNA LM-79. Results based on FA shielding 80 CRI/4000K CCT, average wattage for 120V through 277V input, and 25°C ambient temperature. Actual performance may vary +/-5%
- To calculate lumen output in emergency mode, multiply the battery wattage by the efficacy.
- Use multiplier tables to calculate additional options.

## PHOTOMETRY

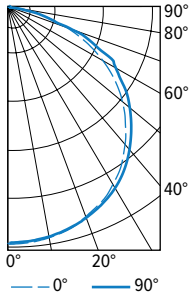
**GH-2-L240/840-FA-DIM-UNV** Report #: 13309242.03; 04/16/20 | Total Luminaire Output: 23470 lumens; 176.8 Watts | Efficacy: 132.7 lm/W | 80 CRI; 4000K CCT



VERTICAL ANGLE	HORIZONTAL ANGLE			ZONAL LUMENS
	0°	45°	90°	
0	7864	7864	7864	
5	7830	7838	7828	188
15	7462	7557	7617	906
25	6743	7012	7218	1499
35	5682	6194	6579	1882
45	4375	5143	5680	1983
55	3108	4068	4699	1854
65	1942	2930	3361	1507
75	982	1717	1749	970
85	267	619	733	421
90	9	301	458	

LUMEN SUMMARY	ZONE	LUMENS	% FIXTURE
	0 - 40	9946	42
	0 - 60	17436	74
	0 - 90	22488	96
	90 - 180	981	4
	0 - 180	23470	100

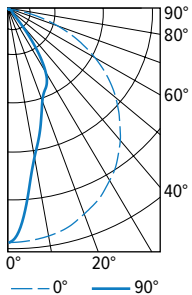
**GH-2-L240/840-HP-DIM-UNV** Report #: 13309242.04; 04/16/20 | Total Luminaire Output: 25500 lumens; 177.1 Watts | Efficacy: 144.0 lm/W | 80 CRI; 4000K CCT



VERTICAL ANGLE	HORIZONTAL ANGLE			ZONAL LUMENS
	0°	45°	90°	
0	8597	8597	8597	
5	8610	8577	8552	205
15	8378	8349	8310	998
25	7828	7861	7843	1673
35	6995	7065	7100	2142
45	5861	5966	6058	2311
55	4609	4721	4877	2204
65	3121	3256	3397	1798
75	1536	1590	1348	1011
85	260	284	270	265
90	9	90	65	

LUMEN SUMMARY	ZONE	LUMENS	% FIXTURE
	0 - 40	11191	44
	0 - 60	20026	79
	0 - 90	25244	99
	90 - 180	263	1
	0 - 180	25500	100

**GH-2-L240/840-ND-DIM-UNV** Report #: 13309242.01; 04/14/20 | Total Luminaire Output: 25350 lumens; 177.9 Watts | Efficacy: 142.5 lm/W | 80 CRI; 4000K CCT

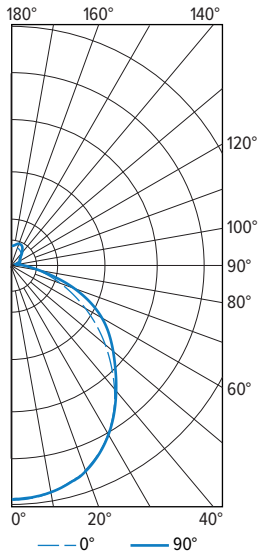


VERTICAL ANGLE	HORIZONTAL ANGLE			ZONAL LUMENS
	0°	45°	90°	
0	23290	23290	23290	
5	23160	21230	19520	533
15	22430	14040	11900	1960
25	20750	9761	8524	2581
35	18260	7524	4111	2763
45	15060	3348	621	2013
55	11550	525	406	1400
65	7463	313	271	828
75	3238	178	70	369
85	288	68	20	92
90	5	37	12	

LUMEN SUMMARY	ZONE	LUMENS	% FIXTURE
	0 - 40	16787	66
	0 - 60	23010	91
	0 - 90	25091	99
	90 - 180	264	1
	0 - 180	25350	100



GH-2-L240/840-FA-UP-DIM-UNV Report #: 13309242.02; 04/10/20 | Total Luminaire Output: 22670 lumens; 176.8 Watts | Efficacy: 128.2 lm/W | 80 CRI; 4000K CCT



VERTICAL ANGLE	HORIZONTAL ANGLE			ZONAL LUMENS
	0°	45°	90°	
0	7970	7970	7970	
5	7940	7936	7913	190
15	7590	7599	7597	913
25	6878	6949	6901	1493
35	5790	5890	5830	1807
45	4460	4628	4710	1819
55	3172	3478	3752	1631
65	1988	2405	2594	1279
75	1011	1339	1161	779
85	279	357	356	281
90	11	103	123	113
95	53	149	177	63
105	153	225	258	104
115	254	252	292	130
125	350	349	314	154
135	435	502	423	180
145	499	640	590	190
155	557	688	721	166
165	589	667	718	110
175	609	632	638	45
180	628	628	628	

LUMEN SUMMARY	ZONE	LUMENS	% FIXTURE
	0 - 40	9732	43
	0 - 60	16403	72
	0 - 90	20408	90
	90 - 180	2259	10
	0 - 180	22670	100

## Mounting Details

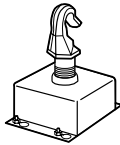
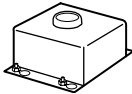
GC2/Y18/\_

HUB MT

HUB/HOOK MT

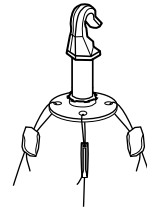
HOOK/CABLE

4' fixture requires two hubs for mounting



Mounting hook with safety screw allows easy replacement of existing HID fixtures. Hook attaches to the fixture with 3/4" NPT cast iron hub and junction box.

A 10' long aircraft cable and Y style hanger with toggle clips are factory furnished for leveling fixture from single support.



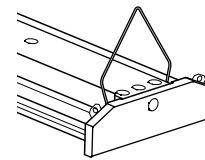
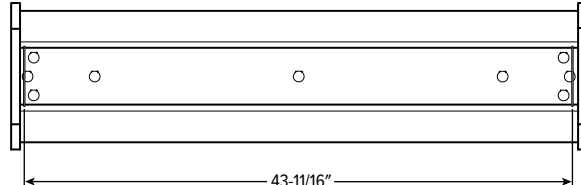
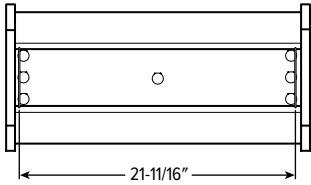
Hook and 10' cable mounting kit. Mounting hook is secured to the structure by eye bolt or loop (furnished by others).

Attached at the base of the hook is a circular mounting plate with four (4) 10' adjustable cables, oriented in 90° intervals, suspended below.

VBY | VBY-2

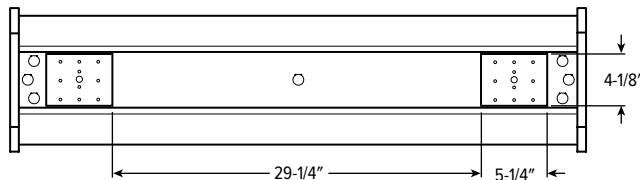
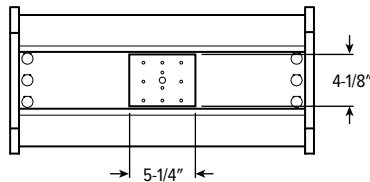
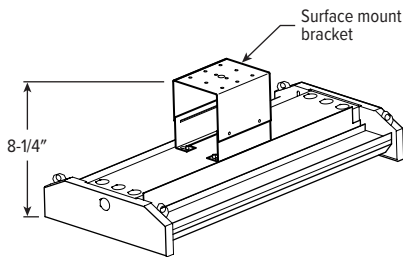
2'

4'

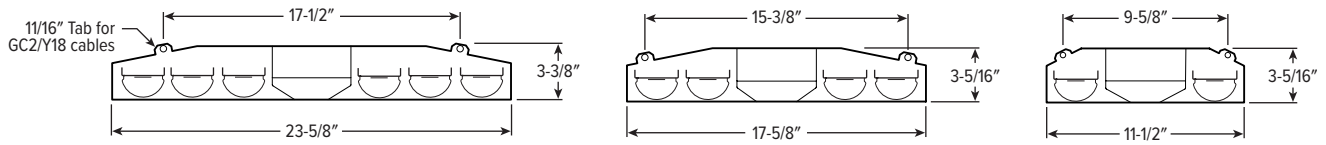


GH-SMK

4' fixture requires two brackets for mounting



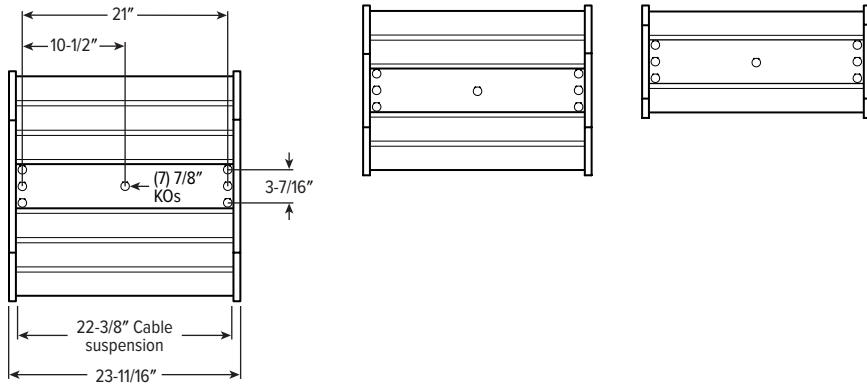
## CROSS SECTIONS



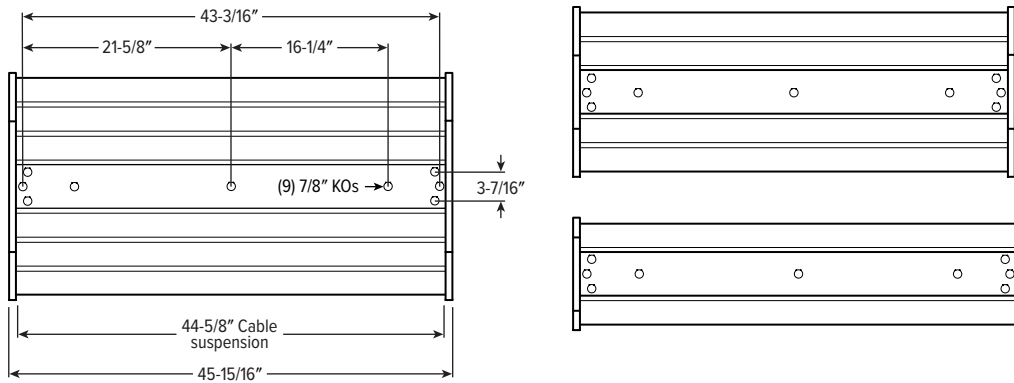
## FIXTURE DETAILS

### BACKVIEW

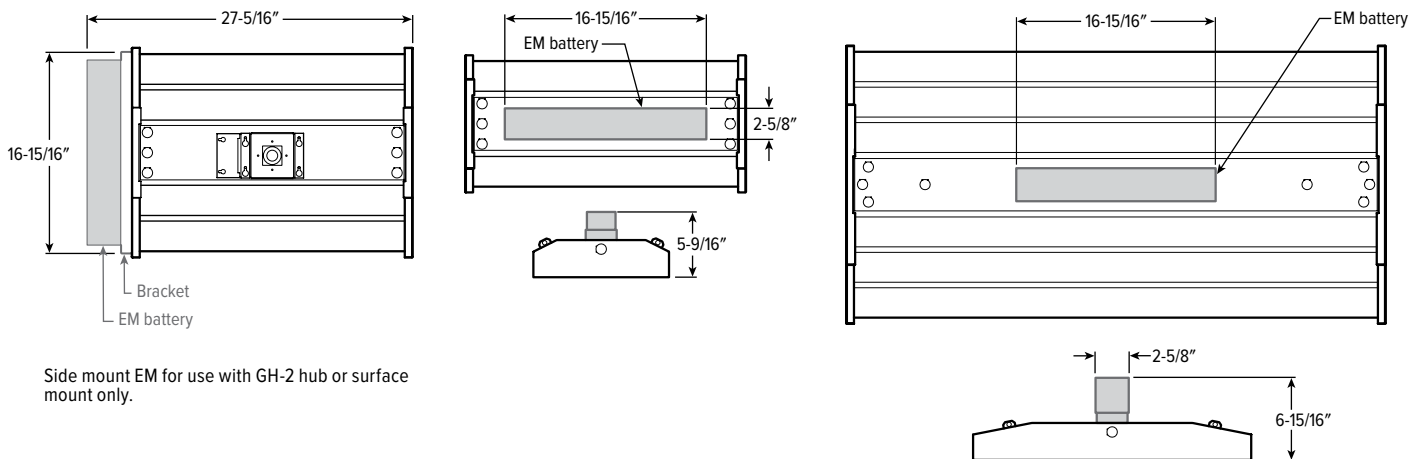
2'



4'



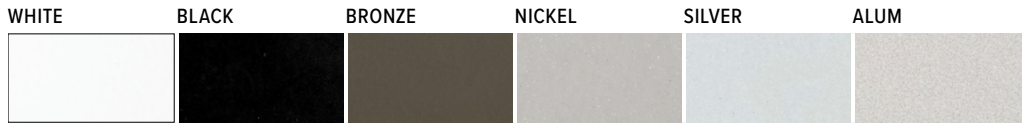
### EM BATTERY



Side mount EM for use with GH-2 hub or surface mount only.



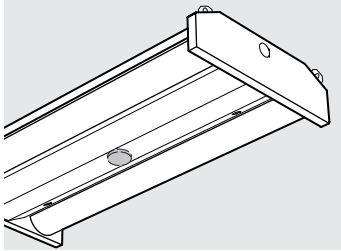
## FINISH OPTIONS



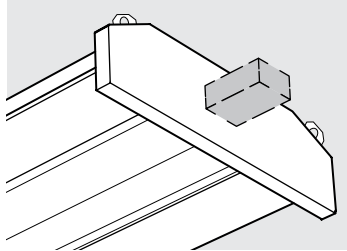
For custom color, please specify RAL code or a manufacturer code with description. All custom colors other than RAL require two sample swatches, minimum 1" square.

## SENSOR PLACEMENT DETAILS

AVI-LVFA-PIR



WS-FSP | WS-HBP | LV-OSFHU | LSXR



SEE NEXT PAGE FOR CONTROL DETAILS.

## AVI-ON BLUETOOTH WIRELESS CONTROL DETAILS

### FEATURES

#### Simple

- Gateway-free distributed control
- Contractor friendly installation
- Occupancy/vacancy/daylight sensing

#### Scalable

- Virtually unlimited network size
- Spans small areas to large garages
- Flexible control strategies

#### Secure

- Optional cloud connectivity
- UL IoT platinum security rating
- DLC 5.0 compliant

### COMMISSIONING & INSTALLATION TOOLS

Avi-on mobile apps provide intuitive, quick installation and commissioning. Pro tools are available to qualified installers. Live commissioning training and on-site or remote support by Avi-on must be ordered separately through Avi-on.



Commissioning Mobile App



Zone Scanner Web App



Commissioning Pro App

### SYSTEM COMPONENTS



The Bluetooth® word mark and logos are registered trademarks owned by Bluetooth SIG, Inc. and any use of such marks by Avi-on is under license. Other trademarks and trade names are those of their respective owners.

### ACCESSORIES

WALL STATIONS	
AVI-B-2401AC-1	Scene controller - buttons numbered 1-4 and up/down/off, 120-277VAC
AVI-B-2402BAT-1	Scene controller - buttons numbered 1-4 and up/down/off, battery powered
AVI-B-2401AC-2	Dimmer with presets - buttons with percentages and up/down/off, 120-277VAC
AVI-B-2402BAT-2	Dimmer with presets - buttons with percentages and up/down/off, battery powered
AVI-B-2401AC-3	Two button control on/off or hold to dim up/down, 120-277VAC
AVI-B-2402BAT-3	Two button control on/off or hold to dim up/down, battery powered

NETWORK	
AVI-RAB-LTE	Remote access bridge
AVI-NTM	Network time manager with battery backup
CEILING MOUNT SENSORS	
AVI-KIT-SEN-DUCM	PIR motion and ultrasonic sensor kit
AVI-KIT-SEN-ICM	PIR motion and photocell sensor kit

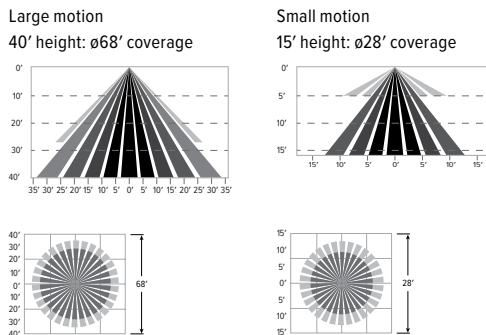
For load controllers and additional accessory info, see [hew.com/avi-on](http://hew.com/avi-on)

### AVI-LVFA-PIR Avi-on wireless fixture control with high bay PIR motion and daylight sensor, bottom mount. DA Driver only.

SPECIFICATIONS	
TYPE	PIR Motion + Daylight
MOUNTING HEIGHT	8' - 45'
LENS	Single lens detects high and low bay motion.
DETECTION ANGLE	360°
TEMPERATURE RANGE	-30° to 70°C
RELATIVE HUMIDITY	90 to 95% at 30°C
COMMISSIONING	App (iOS or Android)
SYSTEM REQUIREMENTS	Avi-On wireless fixture controls plus desktop and mobile apps
MANUFACTURER	Avi-On



### SENSOR COVERAGE PATTERNS



### SENSOR DETAIL



Dimensions: 2-5/16" x 1-7/16"

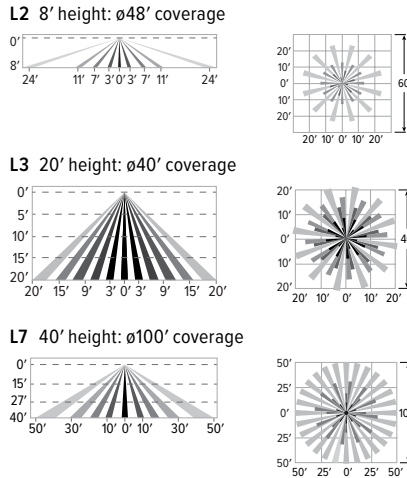


**ADDITIONAL CONTROL OPTIONS**

**OCCWS-FSP-321B-L\_-120-480** Wattstopper PIR motion and daylight sensor using 0-10V internal control, 120V-480V. Must specify lens: L2, L3 or L7. Factory installed.  
**OCCWS-FSP-221B-L\_-120-480** Wattstopper PIR motion and daylight sensor using 0-10V internal control, 120V-480V. Must specify lens: L2, L3 or L7. Factory installed.  
**FSIR-100** Remote controller for 221B sensor. Please specify quantity required per project. Ordered and shipped separately.

SPECIFICATIONS	
<b>TYPE</b>	PIR Motion + Daylight
<b>MOUNTING HEIGHT</b>	8' – 40'
<b>DETECTION ANGLE</b>	360°
<b>TEMPERATURE RANGE</b>	-40° to 75°C
<b>COMMISSIONING</b>	321B Sensor: App (iOS or Android) 221B Sensor: FSIR-100 Remote

**SENSOR COVERAGE PATTERNS**



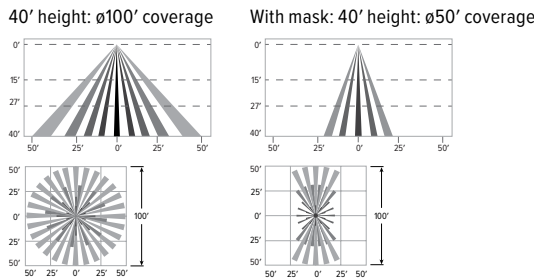
**SENSOR DETAIL**



**OCCWS-HBP-111-L7-120/277/347** Wattstopper PIR motion and daylight hold off sensor, 120/277/347V. Adjustable via remote. Optional FSIR-100 remote controller available.  
**FSIR-100** Remote controller for HBP-111 sensor. Please specify quantity required per project. Ordered and shipped separately.

SPECIFICATIONS	
<b>TYPE</b>	PIR Motion + Daylight Hold Off
<b>MOUNTING HEIGHT</b>	15' – 40'
<b>DETECTION ANGLE</b>	360°
<b>TEMPERATURE RANGE</b>	0° to 70°C
<b>RELATIVE HUMIDITY</b>	5 to 95%, non-condensing
<b>COMMISSIONING</b>	FSIR-100 Remote

**SENSOR COVERAGE PATTERNS**



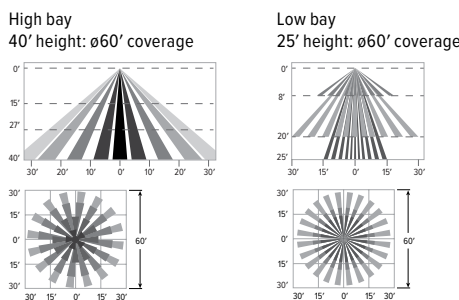
**SENSOR DETAIL**



**OCCLV-OSFHU-ITW-120-347** Leviton PIR motion sensor, 120-347V  
**OCCLV-OSFHU-I4W-208/240/480** Leviton PIR motion sensor, 208/240/480V

SPECIFICATIONS	
<b>TYPE</b>	PIR Motion
<b>MOUNTING HEIGHT</b>	8' – 40'
<b>LENS</b>	Interchangeable high bay, low bay or aisle mask
<b>DETECTION ANGLE</b>	360°
<b>TEMPERATURE RANGE</b>	-10° to 71°C
<b>RELATIVE HUMIDITY</b>	20% to 90% non-condensing

**SENSOR COVERAGE PATTERNS**



**SENSOR DETAIL**



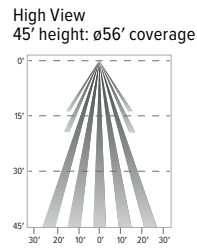
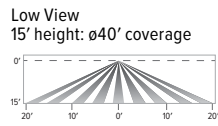
OCCSS LSXR-6-120-277 Sensor Switch PIR motion sensor, 120-277V

OCCSS LSXR-6-347/480 Sensor Switch PIR motion sensor, 347/480V

## SPECIFICATIONS

<b>TYPE</b>	PIR Motion
<b>MOUNTING HEIGHT</b>	15' – 45'
<b>DETECTION ANGLE</b>	360°
<b>TEMPERATURE RANGE</b>	-10° to 60°C
<b>RELATIVE HUMIDITY</b>	Up to 90% non-condensing

## SENSOR COVERAGE PATTERNS



## SENSOR DETAIL

